

# PARTS LIST

[ KS-AX4500 ]

\* All printed circuit boards and its assemblies are not available as service parts.

## Areas suffix

E ----- Continental Europe

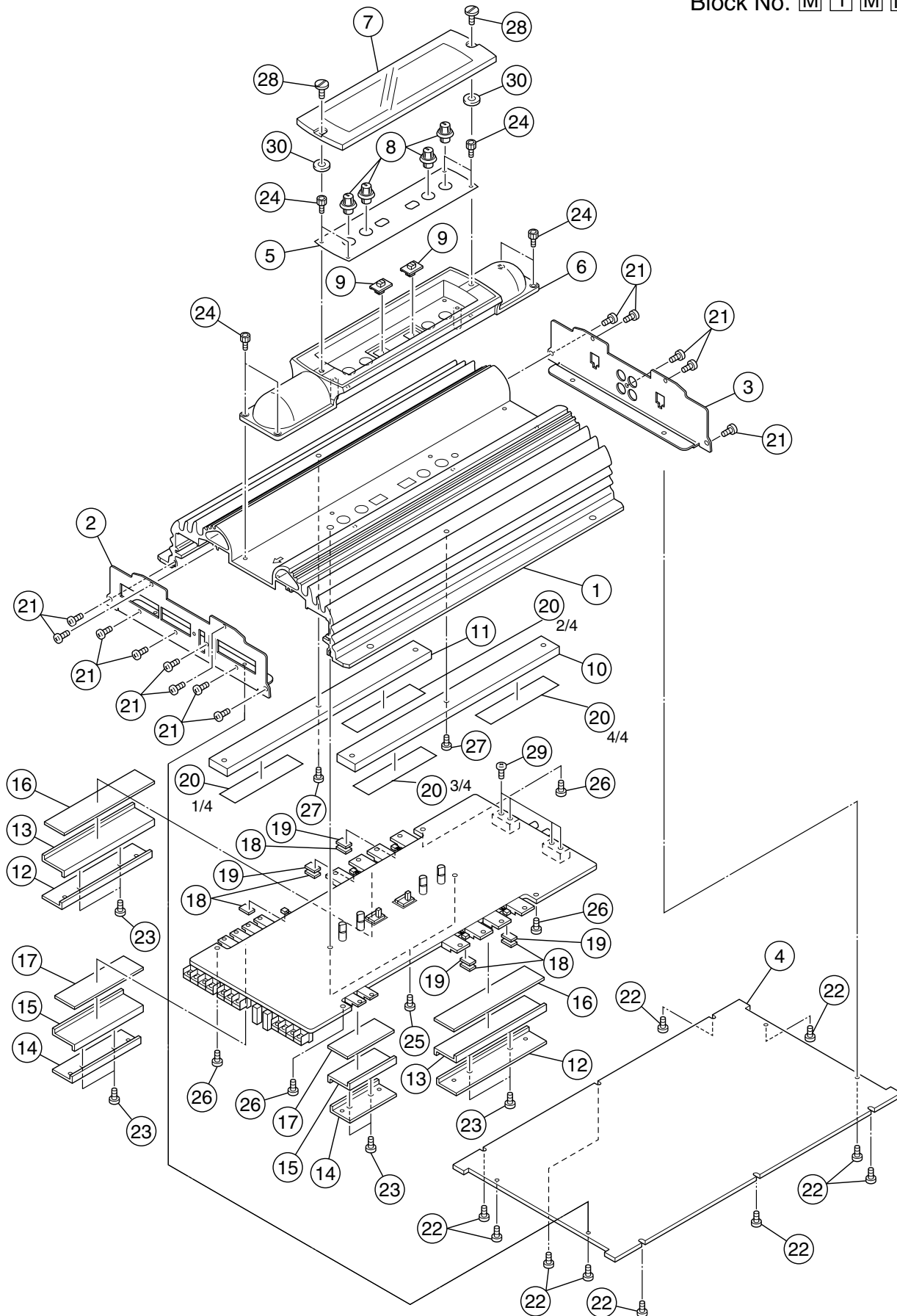
J ----- Northern America

## - Contents -

Exploded view of enclosure assembly and parts list .....	3-2
Electrical parts List .....	3-4
Packing and accessories .....	3-9

# Exploded view of enclosure assembly and parts list

Block No. M 1 M M



**Parts list ( Enclosure assembly )**

Block No. M1MM

△	Item	Parts number	Parts name	Q'ty	Description	Area
	1	MA-HS-IT-1123-1	MAIN HEAT SINK	1		
	2	MA-FP-IT-6411-1	FRONT PANEL	1		
	3	MA-RP-IT-6412-1	REAR PANEL	1		
	4	MA-BC-IT-6415-2	BOTTOM COVER	1		
	5	MA-SD-06-1924-0	CONTROL PANEL	1		
	6	MA-TC-03-1122-0	PIPE	1		
	7	MA-TC-04-1922-0	TOP PANEL	1		
	8	MO-KB-07-6023-2	VOLUME KNOB	4		
	9	MO-KB-07-6024-1	SWITCH KNOB	2		
	10	MA-SH-IT-6416-1	SUB HEAT SINK-A	1		
	11	MA-SH-IT-6417-1	SUB HEAT SINK-B	1		
	12	MA-BR-03-4116-0	TR BRACKET-C	2		
	13	MA-BR-03-4117-0	TR BRACKET-D	2		
	14	MA-BR-03-4180-0	TR BRACKET-E	2		
	15	MA-BR-03-4181-0	TR BRACKET-F	2		
	16	MO-CU-02-4866-1	TR/BKT CUSHION-B	2		
	17	MO-CU-02-4195-1	TR/BKT CUSHION-C	2		
	18	MO-CU-01-4097-1	RUBBER CUSH.-A	5		
	19	MO-CU-01-4097-0	RUBBER CUSH.-B	4		
	20	MA-SP-02-1901-0	SILICON PAD	1	430mm(107.5mm × 4)	
	21	MNSC-04-3-30-08	SCREW	13		
	22	MNSC-04-2-30-06	SCREW	10		
	23	MNC-00-3-40-14	SCREW	8		
	24	MNSC-04-6-30-06	SCREW	8		
	25	MZSC-04-5-30-08	SCREW	2		
	26	MZSC-04-5-30-13	SCREW	4		
	27	MZSC-04-5-30-10	SCREW	2		
	28	MNSC-00-1-40-7	SCREW (SPECIFIC)	2		
	29	MNSC-04-3-30-06	SCREW	4		
	30	MOWA-05-8085-0	POLY WASHER	2		

# Electrical parts list

## ■ Electrical parts list (P.C.board)

Block No. 01

△	Item	Parts number	Parts name	Remarks	Area	△	Item	Parts number	Parts name	Remarks	Area
	C 01	ELE10UF/16V	E.CAPACITOR	ELECTROLYTIC			C 139	ELE100UF/16V	E.CAPACITOR	ELECTROLYTIC	
	C 03	MAL105J/50V	M.CAPACITOR	MYLAR 63V 5%			C 140	CER150PF/50V	C.CAPACITOR	CERAMIC DISK 50	
	C 09	MAL104J/50V	M.CAPACITOR	MYLAR 50V 5%			C 141	MAL104J/50V	M.CAPACITOR	MYLAR 50V 5%	
	C 11	ELE2200UF/25V	E.CAPACITOR	ELECTROLYTIC			C 142	CER104PF/50V	C.CAPACITOR	CERAMIC DISK 50	
	C 12	ELE2200UF/25V	E.CAPACITOR	ELECTROLYTIC			C 151	ELE220UF/16V	E.CAPACITOR	ELECTROLYTIC	
	C 13	CER104PF/50V	C.CAPACITOR	CERAMIC DISK 50			C 161	ELE4.7UF/50V	E.CAPACITOR	ELECTROLYTIC	
	C 15	CER104PF/50V	C.CAPACITOR	CERAMIC DISK 50			C 162	ELE4.7UF/50V	E.CAPACITOR	ELECTROLYTIC	
	C 16	MAL334J/50V	M.CAPACITOR	MYLAR 50V 5%			C 163	CER102PF/50V	C.CAPACITOR	CERAMIC DISK 50	
	C 17	ELE47UF/16V	E.CAPACITOR	ELECTROLYTIC			C 164	CER102PF/50V	C.CAPACITOR	CERAMIC DISK 50	
	C 18	ELE100UF/16V	E.CAPACITOR	ELECTROLYTIC			C 191	CER104PF/50V	C.CAPACITOR	CERAMIC DISK 50	
	C 19	ELE100UF/16V	E.CAPACITOR	ELECTROLYTIC			C 192	SMD473PF/50V	CAPACITOR	SMD 0805 50V 5	
	C 20	CER104PF/50V	C.CAPACITOR	CERAMIC DISK 50			C 193	SMD473PF/50V	CAPACITOR	SMD 0805 50V 5	
	C 21	ELE100UF/25V	E.CAPACITOR	ELECTROLYTIC			C 194	SMD473PF/50V	CAPACITOR	SMD 0805 50V 5	
	C 22	ELE47UF/25V	E.CAPACITOR	ELECTROLYTIC			C 195	SMD473PF/50V	CAPACITOR	SMD 0805 50V 5	
	C 23	ELE100UF/16V	E.CAPACITOR	ELECTROLYTIC			C 196	SMD473PF/50V	CAPACITOR	SMD 0805 50V 5	
	C 24	MAL103M/50V	M.CAPACITOR	MYLAR 50V 5%			C 201	ELE4.7UF/50V	E.CAPACITOR	ELECTROLYTIC	
	C 25	MAL103M/50V	M.CAPACITOR	MYLAR 50V 5%			C 202	ELE4.7UF/50V	E.CAPACITOR	ELECTROLYTIC	
	C 27	CER473PF/50V	C.CAPACITOR	CERAMIC DISK 50			C 204	CER22PF/50V	C.CAPACITOR	CERAMIC DISK 50	
	C 31	MAL104J/50V	M.CAPACITOR	MYLAR 50V 5%			C 205	CER100PF/50V	C.CAPACITOR	CERAMIC DISK 50	
	C 40	MAL102G	S.CAPACITOR	STYCON			C 206	CER22PF/50V	C.CAPACITOR	CERAMIC DISK 50	
	C 41	ELE100UF/16V	E.CAPACITOR	ELECTROLYTIC			C 207	ELE4.7UF/50V	E.CAPACITOR	ELECTROLYTIC	
	C 60	MAL222J/50V	M.CAPACITOR	MYLAR 50V 5%			C 208	SMD36PF/50V	CAPACITOR	SMD 0805 50V 5	
	C 61	ELE2.2UF/50V	E.CAPACITOR	ELECTROLYTIC			C 211	SMD47PF/50V	CAPACITOR	SMD 0805 50V 5	
	C 62	ELE2.2UF/50V	E.CAPACITOR	ELECTROLYTIC			C 212	MAL224J/50V	M.CAPACITOR	MYLAR 50V 5%	
	C 63	ELE220UF/16V	E.CAPACITOR	ELECTROLYTIC			C 213	MAL183J/50V	M.CAPACITOR	MYLAR 50V 5%	
	C 64	ELE220UF/16V	E.CAPACITOR	ELECTROLYTIC			C 214	MAL104J/50V	M.CAPACITOR	MYLAR 50V 5%	
	C 65	CER104PF/50V	C.CAPACITOR	CERAMIC DISK 50			C 215	MAL473J/50V	M.CAPACITOR	MYLAR 50V 5%	
	C 66	CER104PF/50V	C.CAPACITOR	CERAMIC DISK 50			C 216	MAL473J/50V	M.CAPACITOR	MYLAR 50V 5%	
	C 67	ELE470UF/35V	E.CAPACITOR	ELECTROLYTIC			C 217	MAL473J/50V	M.CAPACITOR	MYLAR 50V 5%	
	C 68	ELE470UF/35V	E.CAPACITOR	ELECTROLYTIC			C 230	ELE4.7UF/50V	E.CAPACITOR	ELECTROLYTIC	
	C 69	ELE3300UF/35V	E.CAPACITOR	ELECTROLYTIC			C 231	ELE4.7UF/50V	E.CAPACITOR	ELECTROLYTIC	
	C 70	ELE3300UF/35V	E.CAPACITOR	ELECTROLYTIC			C 232	CER68PF/50V	C.CAPACITOR	CERAMIC DISK 50	
	C 73	CER473PF/50V	C.CAPACITOR	CERAMIC DISK 50			C 233	ELE22UF/16V	E.CAPACITOR	ELECTROLYTIC	
	C 74	CER473PF/50V	C.CAPACITOR	CERAMIC DISK 50			C 234	ELE22UF/16V	E.CAPACITOR	ELECTROLYTIC	
	C 80	CER22PF/50V	C.CAPACITOR	CERAMIC DISK 50			C 235	CER150PF/50V	C.CAPACITOR	CERAMIC DISK 50	
	C 81	ELE10UF/50V	E.CAPACITOR	ELECTROLYTIC			C 236	MAL473J/50V	M.CAPACITOR	MYLAR 50V 5%	
	C 91	CER104PF/50V	C.CAPACITOR	CERAMIC DISK 50			C 237	CER150PF/50V	C.CAPACITOR	CERAMIC DISK 50	
	C 92	CER104PF/50V	C.CAPACITOR	CERAMIC DISK 50			C 238	CER56PF/50V	C.CAPACITOR	CERAMIC DISK 50	
	C 93	CER104PF/50V	C.CAPACITOR	CERAMIC DISK 50			C 239	ELE100UF/16V	E.CAPACITOR	ELECTROLYTIC	
	C 100	ELE330UF/25V(NP)	E.CAPACITOR	ELECTROLYTIC(NP)			C 240	CER150PF/50V	C.CAPACITOR	CERAMIC DISK 50	
	C 101	ELE4.7UF/50V	E.CAPACITOR	ELECTROLYTIC			C 241	MAL104J/50V	M.CAPACITOR	MYLAR 50V 5%	
	C 102	ELE4.7UF/50V	E.CAPACITOR	ELECTROLYTIC			C 261	ELE4.7UF/50V	E.CAPACITOR	ELECTROLYTIC	
	C 104	CER22PF/50V	C.CAPACITOR	CERAMIC DISK 50			C 262	ELE4.7UF/50V	E.CAPACITOR	ELECTROLYTIC	
	C 105	CER100PF/50V	C.CAPACITOR	CERAMIC DISK 50			C 263	CER102PF/50V	C.CAPACITOR	CERAMIC DISK 50	
	C 106	CER22PF/50V	C.CAPACITOR	CERAMIC DISK 50			C 264	CER102PF/50V	C.CAPACITOR	CERAMIC DISK 50	
	C 107	ELE4.7UF/50V	E.CAPACITOR	ELECTROLYTIC			C 291	CER104PF/50V	C.CAPACITOR	CERAMIC DISK 50	
	C 108	SMD68PF/50V	CAPACITOR	SMD 0805 50V 5			C 292	SMD473PF/50V	CAPACITOR	SMD 0805 50V 5	
	C 111	SMD47PF/50V	CAPACITOR	SMD 0805 50V 5			C 293	SMD473PF/50V	CAPACITOR	SMD 0805 50V 5	
	C 112	MAL224J/50V	M.CAPACITOR	MYLAR 50V 5%			C 294	SMD473PF/50V	CAPACITOR	SMD 0805 50V 5	
	C 113	MAL183J/50V	M.CAPACITOR	MYLAR 50V 5%			C 295	SMD473PF/50V	CAPACITOR	SMD 0805 50V 5	
	C 114	MAL104J/50V	M.CAPACITOR	MYLAR 50V 5%			C 296	SMD473PF/50V	CAPACITOR	SMD 0805 50V 5	
	C 115	MAL473J/50V	M.CAPACITOR	MYLAR 50V 5%			C 301	ELE4.7UF/50V	E.CAPACITOR	ELECTROLYTIC	
	C 116	MAL473J/50V	M.CAPACITOR	MYLAR 50V 5%			C 302	ELE4.7UF/50V	E.CAPACITOR	ELECTROLYTIC	
	C 117	MAL473J/50V	M.CAPACITOR	MYLAR 50V 5%			C 304	CER22PF/50V	C.CAPACITOR	CERAMIC DISK 50	
	C 130	ELE4.7UF/50V	E.CAPACITOR	ELECTROLYTIC			C 305	CER100PF/50V	C.CAPACITOR	CERAMIC DISK 50	
	C 131	ELE4.7UF/50V	E.CAPACITOR	ELECTROLYTIC			C 306	CER22PF/50V	C.CAPACITOR	CERAMIC DISK 50	
	C 132	CER68PF/50V	C.CAPACITOR	CERAMIC DISK 50			C 307	ELE4.7UF/50V	E.CAPACITOR	ELECTROLYTIC	
	C 133	ELE22UF/16V	E.CAPACITOR	ELECTROLYTIC			C 308	SMD68PF/50V	CAPACITOR	SMD 0805 50V 5	
	C 134	ELE22UF/16V	E.CAPACITOR	ELECTROLYTIC			C 311	SMD47PF/50V	CAPACITOR	SMD 0805 50V 5	
	C 135	CER150PF/50V	C.CAPACITOR	CERAMIC DISK 50			C 312	MAL224J/50V	M.CAPACITOR	MYLAR 50V 5%	
	C 136	MAL473J/50V	M.CAPACITOR	MYLAR 50V 5%			C 313	MAL183J/50V	M.CAPACITOR	MYLAR 50V 5%	
	C 137	CER150PF/50V	C.CAPACITOR	CERAMIC DISK 50			C 314	MAL104J/50V	M.CAPACITOR	MYLAR 50V 5%	
	C 138	CER56PF/50V	C.CAPACITOR	CERAMIC DISK 50			C 315	MAL473J/50V	M.CAPACITOR	MYLAR 50V 5%	

## ■ Electrical parts list (P.C.board)

Block No. 01

△	Item	Parts number	Parts name	Remarks	Area	△	Item	Parts number	Parts name	Remarks	Area
	C 316	MAL473J/50V	M.CAPACITOR	MYLAR 50V 5%			D 02	1N4004	DIODE	RECTIFIER	
	C 317	MAL473J /50V	M.CAPACITOR	MYLAR 50V 5%			D 05	1N4148	GE DIODE	SWITCHING SIGNA	
	C 330	ELE4.7UF/50V	E.CAPACITOR	ELECTROLYTIC			D 10	1N4148	GE DIODE	SWITCHING SIGNA	
	C 331	ELE4.7UF/50V	E.CAPACITOR	ELECTROLYTIC			D 11	1N4148	GE DIODE	SWITCHING SIGNA	
	C 332	CER68PF/50V	C.CAPACITOR	CERAMIC DISK 50			D 31	FR154	DIODE	FAST RECOVERY	
	C 333	ELE22UF/16V	E.CAPACITOR	ELECTROLYTIC			D 32	FR154	DIODE	FAST RECOVERY	
	C 334	ELE22UF/16V	E.CAPACITOR	ELECTROLYTIC			D 34	FR154	DIODE	FAST RECOVERY	
	C 335	CER150PF/50V	C.CAPACITOR	CERAMIC DISK 50			D 35	FR154	DIODE	FAST RECOVERY	
	C 336	MAL473J/50V	M.CAPACITOR	MYLAR 50V 5%			D 51	YG225D2	DIODE(BRIDGE)	FAST RECOVERY	
	C 337	CER150PF/50V	C.CAPACITOR	CERAMIC DISK 50			D 52	YG225D2	DIODE(BRIDGE)	FAST RECOVERY	
	C 338	CER56PF/50V	C.CAPACITOR	CERAMIC DISK 50			D 53	1N4744	ZENER DIODE		
	C 339	ELE100UF/16V	E.CAPACITOR	ELECTROLYTIC			D 54	1N4744	ZENER DIODE		
	C 340	CER150PF/50V	C.CAPACITOR	CERAMIC DISK 50			D 70	1N4148	GE DIODE	SWITCHING SIGNA	
	C 341	MAL104J/50V	M.CAPACITOR	MYLAR 50V 5%			D 71	1N4148	GE DIODE	SWITCHING SIGNA	
	C 342	CER104PF/50V	C.CAPACITOR	CERAMIC DISK 50			D 101	1N4148	GE DIODE	SWITCHING SIGNA	
	C 361	ELE4.7UF/50V	E.CAPACITOR	ELECTROLYTIC			D 201	1N4148	GE DIODE	SWITCHING SIGNA	
	C 362	ELE4.7UF/50V	E.CAPACITOR	ELECTROLYTIC			D 301	1N4148	GE DIODE	SWITCHING SIGNA	
	C 363	CER102PF/50V	C.CAPACITOR	CERAMIC DISK 50			D 401	1N4148	GE DIODE	SWITCHING SIGNA	
	C 364	CER102PF/50V	C.CAPACITOR	CERAMIC DISK 50			△ F 1	FUSE20A/32V	AUTO FUSE		
	C 391	CER104PF/50V	C.CAPACITOR	CERAMIC DISK 50			F 01	FH-9604	FUSE HOLDER		
	C 392	SMD473PF/50V	CAPACITOR	SMD 0805 50V 5			HP 01	2X8P	HEADER PIN	GOLD PLATED	
	C 393	SMD473PF/50V	CAPACITOR	SMD 0805 50V 5			HP 02	2X2P	HEADER PIN	GOLD PLATED	
	C 394	SMD473PF/50V	CAPACITOR	SMD 0805 50V 5			HP 03	5P	HEADER PIN	GOLD PLATED	
	C 395	SMD473PF/50V	CAPACITOR	SMD 0805 50V 5			HP 04	4P	HEADER PIN	GOLD PLATED	
	C 396	SMD473PF/50V	CAPACITOR	SMD 0805 50V 5			JA 01	SY-SW0406G	RCA JACK		
	C 401	ELE4.7UF/50V	E.CAPACITOR	ELECTROLYTIC			JA 02	LAD-1140-04	WAFER		
	C 402	ELE4.7UF/50V	E.CAPACITOR	ELECTROLYTIC			JA 03	LAD-1140-04	WAFER		
	C 403	CER103PF/50V	C.CAPACITOR	CERAMIC DISK 50			LED01	SAM3270	LED		
	C 404	CER22PF/50V	C.CAPACITOR	CERAMIC DISK 50			P 01	TM0006-00	TERMINAL		
	C 405	CER100PF/50V	C.CAPACITOR	CERAMIC DISK 50			P 02	TM0009-00	TERMINAL		
	C 406	CER22PF/50V	C.CAPACITOR	CERAMIC DISK 50			P 03	TM0009-00	TERMINAL		
	C 407	ELE4.7UF/50V	E.CAPACITOR	ELECTROLYTIC			Q 01	KTA1023Y	TRANSISTOR	SMALL SIGNAL PN	
	C 408	SMD36PF/50V	CAPACITOR	SMD 0805 50V 5			Q 02	KTC3198GR	TRANSISTOR	SMALL SIGNAL NP	
	C 411	SMD47PF/50V	CAPACITOR	SMD 0805 50V 5			Q 05	KTA1266GR	TRANSISTOR	SMALL SIGNAL PN	
	C 412	MAL224J/50V	M.CAPACITOR	MYLAR 50V 5%			Q 06	KTA1266GR	TRANSISTOR	SMALL SIGNAL PN	
	C 413	MAL183J/50V	M.CAPACITOR	MYLAR 50V 5%			Q 07	KTC3198BL	TRANSISTOR	SMALL SIGNAL NP	
	C 414	MAL104J/50V	M.CAPACITOR	MYLAR 50V 5%			Q 08	KTA1268GR	TRANSISTOR	SMALL SIGNAL PN	
	C 415	MAL473J/50V	M.CAPACITOR	MYLAR 50V 5%			Q 31	KTC3198GR	TRANSISTOR	SMALL SIGNAL NP	
	C 416	MAL473J/50V	M.CAPACITOR	MYLAR 50V 5%			Q 32	KTC3198GR	TRANSISTOR	SMALL SIGNAL NP	
	C 417	MAL473J/50V	M.CAPACITOR	MYLAR 50V 5%			Q 40	KTA1266GR	TRANSISTOR	SMALL SIGNAL PN	
	C 430	ELE4.7UF/50V	E.CAPACITOR	ELECTROLYTIC			Q 41	KTA1266GR	TRANSISTOR	SMALL SIGNAL PN	
	C 431	ELE4.7UF/50V	E.CAPACITOR	ELECTROLYTIC			Q 45	FQP50N06	FET	N-CH POWER MOSF	
	C 432	CER68PF/50V	C.CAPACITOR	CERAMIC DISK 50			Q 46	FQP50N06	FET	N-CH POWER MOSF	
	C 433	ELE22UF/16V	E.CAPACITOR	ELECTROLYTIC			Q 55	FQP50N06	FET	N-CH POWER MOSF	
	C 434	ELE22UF/16V	E.CAPACITOR	ELECTROLYTIC			Q 56	FQP50N06	FET	N-CH POWER MOSF	
	C 435	CER150PF/50V	C.CAPACITOR	CERAMIC DISK 50			Q 80	KTK117	FET	N-CH JFET	
	C 436	MAL473J/50V	M.CAPACITOR	MYLAR 50V 5%			Q 100	J108	FET	MUTING JFET	
	C 437	CER150PF/50V	C.CAPACITOR	CERAMIC DISK 50			Q 101	KTC3198GR	TRANSISTOR	SMALL SIGNAL PN	
	C 438	CER56PF/50V	C.CAPACITOR	CERAMIC DISK 50			Q 102	KTA1266GR	TRANSISTOR	SMALL SIGNAL PN	
	C 439	ELE100UF/16V	E.CAPACITOR	ELECTROLYTIC			Q 103	KTA1266GR	TRANSISTOR	SMALL SIGNAL PN	
	C 440	CER150PF/50V	C.CAPACITOR	CERAMIC DISK 50			Q 104	KTA1266GR	TRANSISTOR	SMALL SIGNAL PN	
	C 441	MAL104J/50V	M.CAPACITOR	MYLAR 50V 5%			Q 105	KTA1268GR	TRANSISTOR	SMALL SIGNAL PN	
	C 461	ELE4.7UF/50V	E.CAPACITOR	ELECTROLYTIC			Q 106	KTC3200GR	TRANSISTOR	SMALL SIGNAL NP	
	C 462	ELE4.7UF/50V	E.CAPACITOR	ELECTROLYTIC			Q 107	KTC3200GR	TRANSISTOR	SMALL SIGNAL NP	
	C 463	CER102PF/50V	C.CAPACITOR	CERAMIC DISK 50			Q 108	KTC1027Y	TRANSISTOR	SMALL SIGNAL NP	
	C 464	CER102PF/50V	C.CAPACITOR	CERAMIC DISK 50			Q 109	KTA1023Y	TRANSISTOR	SMALL SIGNAL PN	
	C 491	CER04PF/50V	C.CAPACITOR	CERAMIC DISK 50			Q 110	KTD998	TRANSISTOR	AUDIO POWER NPN	
	C 492	SMD473PF/50V	CAPACITOR	SMD 0805 50V 5			Q 111	KTB778	TRANSISTOR	AUDIO POWER PNP	
	C 493	SMD473PF/50V	CAPACITOR	SMD 0805 50V 5			Q 112	KTC3200GR	TRANSISTOR	SMALL SIGNAL NP	
	C 494	SMD473PF/50V	CAPACITOR	SMD 0805 50V 5			Q 113	KTC3198GR	TRANSISTOR	SMALL SIGNAL NP	
	C 495	SMD473PF/50V	CAPACITOR	SMD 0805 50V 5			Q 200	J108	FET	MUTING JFET	
	C 496	SMD473PF/50V	CAPACITOR	SMD 0805 50V 5			Q 201	KTC3198GR	TRANSISTOR	SMALL SIGNAL NP	
	D 01	1N5404	DIODE	RECTIFIER			Q 202	KTC3198GR	TRANSISTOR	SMALL SIGNAL NP	

■ Electrical parts list (P.C.board)

Block No. 01

△	Item	Parts number	Parts name	Remarks	Area	△	Item	Parts number	Parts name	Remarks	Area
	Q 203	KTA1266GR	TRANSISTOR	SMALL SIGNAL PN			R 43	CAR1/4WJ220	RESISTOR	CARBON FILM 1/4	
	Q 204	KTA1266GR	TRANSISTOR	SMALL SIGNAL PN			R 44	CAR1/5WJ1K	RESISTOR	CARBON FILM 1/5	
	Q 205	KTA1268GR	TRANSISTOR	SMALL SIGNAL PN			R 45	CAR1/5WJ47	RESISTOR	CARBON FILM 1/5	
	Q 206	KTC3200GR	TRANSISTOR	SMALL SIGNAL NP			R 46	CAR1/5WJ47	RESISTOR	CARBON FILM 1/5	
	Q 207	KTC3200GR	TRANSISTOR	SMALL SIGNAL NP			R 47	MET2W10	RESISTOR	METAL FILM 2WJ	
	Q 208	KTC1027Y	TRANSISTOR	SMALL SIGNAL NP			R 54	CAR1/5WJ1K	RESISTOR	CARBON FILM 1/5	
	Q 209	KTA1023Y	TRANSISTOR	SMALL SIGNAL PN			R 55	CAR1/5WJ47	RESISTOR	CARBON FILM 1/5	
	Q 210	KTD998	TRANSISTOR	AUDIO POWER NPN			R 56	CAR1/5WJ47	RESISTOR	CARBON FILM 1/5	
	Q 211	KTB778	TRANSISTOR	AUDIO POWER PNP			R 57	MET2W10	RESISTOR	METAL FILM 2WJ	
	Q 212	KTC3200GR	TRANSISTOR	SMALL SIGNAL NP			R 60	MET2W100	RESISTOR	METAL FILM 2WJ	
	Q 213	KTC3198GR	TRANSISTOR	SMALL SIGNAL NP			R 70	MET2W220	RESISTOR	METAL FILM 2WJ	
	Q 300	J108	FET	MUTING JFET			R 71	MET2W220	RESISTOR	METAL FILM 2WJ	
	Q 301	KTC3198GR	TRANSISTOR	SMALL SIGNAL NP			R 77	MET1/2WJ10K	RESISTOR	METAL FILM 1/2W	
	Q 302	KTC3198GR	TRANSISTOR	SMALL SIGNAL NP			R 78	MET1/2WJ10K	RESISTOR	METAL FILM 1/2W	
	Q 303	KTA1266GR	TRANSISTOR	SMALL SIGNAL PN			R 80	CAR1/5WJ220K	RESISTOR	CARBON FILM 1/5	
	Q 304	KTA1266GR	TRANSISTOR	SMALL SIGNAL PN			R 81	CAR1/5WJ10K	RESISTOR	CARBON FILM 1/5	
	Q 305	KTA1268GR	TRANSISTOR	SMALL SIGNAL PN			R 82	CAR1/5WJ2.2M	RESISTOR	CARBON FILM 1/5	
	Q 306	KTC3200GR	TRANSISTOR	SMALL SIGNAL NP			R 90	CAR1/5WJ10K	RESISTOR	CARBON FILM 1/5	
	Q 307	KTC3200GR	TRANSISTOR	SMALL SIGNAL NP			R 101	MET1/5WF22K	RESISTOR	METAL FILM 1/5W	
	Q 308	KTC1027Y	TRANSISTOR	SMALL SIGNAL NP			R 102	MET1/5WF21.5K	RESISTOR	METAL FILM 1/5W	
	Q 309	KTA1023Y	TRANSISTOR	SMALL SIGNAL PN			R 103	MET1/5WF22K	RESISTOR	METAL FILM 1/5W	
	Q 310	KTD998	TRANSISTOR	AUDIO POWER NPN			R 105	MET1/5WF33K	RESISTOR	METAL FILM 1/5W	
	Q 311	KTB778	TRANSISTOR	AUDIO POWER PNP			R 106	MET1/5WF33K	RESISTOR	METAL FILM 1/5W	
	Q 312	KTC3200GR	TRANSISTOR	SMALL SIGNAL NP			R 108	SMD1/5WJ1K	RESISTOR	SMD 0805 1/5WJ	
	Q 400	J108	FET	MUTING JFET			R 109	SMD1/5WF1.3K	RESISTOR	SMD 0805 1/5WF	
	Q 401	KTC3198GR	TRANSISTOR	SMALL SIGNAL NP			R 110	SMD1/5WF15K	RESISTOR	SMD 0805 1/5WF	
	Q 402	KTC3198GR	TRANSISTOR	SMALL SIGNAL NP			R 111	SMD1/5WF11K	RESISTOR	SMD 0805 1/5WF	
	Q 403	KTA1266GR	TRANSISTOR	SMALL SIGNAL PN			R 112	SMD1/5WF30K	RESISTOR	SMD 0805 1/5WF	
	Q 404	KTA1266GR	TRANSISTOR	SMALL SIGNAL PN			R 113	SMD1/5WJ1K	RESISTOR	SMD 0805 1/5WJ	
	Q 405	KTA1268GR	TRANSISTOR	SMALL SIGNAL PN			R 114	SMD1/5WJ1K	RESISTOR	SMD 0805 1/5WJ	
	Q 406	KTC3200GR	TRANSISTOR	SMALL SIGNAL NP			R 115	SMD1/5WJ1K	RESISTOR	SMD 0805 1/5WJ	
	Q 407	KTC3200GR	TRANSISTOR	SMALL SIGNAL NP			R 116	SMD1/5WJ20K	RESISTOR	SMD 0805 1/5WJ	
	Q 408	KTC1027Y	TRANSISTOR	SMALL SIGNAL NP			R 117	SMD1/5WJ100K	RESISTOR	SMD 0805 1/5WJ	
	Q 409	KTA1023Y	TRANSISTOR	SMALL SIGNAL PN			R 118	SMD1/5WJ5.6K	RESISTOR	SMD 0805 1/5WJ	
	Q 410	KTD998	TRANSISTOR	AUDIO POWER NPN			R 119	SMD1/5WJ470K	RESISTOR	SMD 0805 1/5WJ	
	Q 411	KTB778	TRANSISTOR	AUDIO POWER PNP			R 121	SMD1/5WJ30K	RESISTOR	SMD 0805 1/5WJ	
	Q 412	KTC3200GR	TRANSISTOR	SMALL SIGNAL NP			R 122	SMD1/5WJ30K	RESISTOR	SMD 0805 1/5WJ	
	R 01	CAR1/4WJ10	RESISTOR	CARBON FILM 1/4			R 123	SMD1/5WJ30K	RESISTOR	SMD 0805 1/5WJ	
	R 02	CAR1/5WJ4.7K	RESISTOR	CARBON FILM 1/5			R 124	SMD1/5WJ62K	RESISTOR	SMD 0805 1/5WJ	
	R 03	CAR1/5WJ4.7K	RESISTOR	CARBON FILM 1/5			R 130	CAR1/5WJ10K	RESISTOR	CARBON FILM 1/5	
	R 04	CAR1/5WJ4.7K	RESISTOR	CARBON FILM 1/5			R 131	MET1/5WF5.6K	RESISTOR	METAL FILM 1/5W	
	R 05	CAR1/5WJ10K	RESISTOR	CARBON FILM 1/5			R 132	MET1/5WF22K	RESISTOR	METAL FILM 1/5W	
	R 15	MET1/5WF130K	RESISTOR	METAL FILM 1/5W			R 133	CAR1/5WJ1K	RESISTOR	CARBON FILM 1/5	
	R 16	MET1/5WF51K	RESISTOR	METAL FILM 1/5W			R 134	CAR1/5WJ5.6K	RESISTOR	CARBON FILM 1/5	
	R 17	CAR1/5WJ4.7K	RESISTOR	CARBON FILM 1/5			R 135	CAR1/5WJ5.6K	RESISTOR	CARBON FILM 1/5	
	R 18	CAR1/5WJ4.7K	RESISTOR	CARBON FILM 1/5			R 136	CAR1/5WJ1K	RESISTOR	CARBON FILM 1/5	
	R 19	CAR1/5WJ10K	RESISTOR	CARBON FILM 1/5			R 137	CAR1/5WJ1K	RESISTOR	CARBON FILM 1/5	
	R 20	CAR1/5WJ10K	RESISTOR	CARBON FILM 1/5			R 138	CAR1/5WJ22	RESISTOR	CARBON FILM 1/5	
	R 25	CAR1/5WJ10	RESISTOR	CARBON FILM 1/5			R 139	CAR1/5WJ22	RESISTOR	CARBON FILM 1/5	
	R 26	CAR1/5WJ1K	RESISTOR	CARBON FILM 1/5			R 140	CAR1/5WJ22	RESISTOR	CARBON FILM 1/5	
	R 30	CAR1/5WJ1K	RESISTOR	CARBON FILM 1/5			R 141	CAR1/5WJ22	RESISTOR	CARBON FILM 1/5	
	R 31	CAR1/5WJ22K	RESISTOR	CARBON FILM 1/5			R 142	CAR1/5WJ1K	RESISTOR	CARBON FILM 1/5	
	R 32	CAR1/5WJ33K	RESISTOR	CARBON FILM 1/5			R 143	CAR1/5WJ 47	RESISTOR	CARBON FILM 1/5	
	R 33	CAR1/5WJ15K	RESISTOR	CARBON FILM 1/5			R 144	CAR1/5WJ 3.9K	RESISTOR	CARBON FILM 1/5	
	R 34	CAR1/5WJ15K	RESISTOR	CARBON FILM 1/5			R 145	CAR1/5WJ2.7K	RESISTOR	CARBON FILM 1/5	
	R 35	CAR1/5WJ1.2K	RESISTOR	CARBON FILM 1/5			R 146	CAR1/5WJ47	RESISTOR	CARBON FILM 1/5	
	R 36	CAR1/5WJ51K	RESISTOR	CARBON FILM 1/5			R 147	MET1/5WF12K	RESISTOR	METAL FILM 1/5W	
	R 37	CAR1/5WJ1.2K	RESISTOR	CARBON FILM 1/5			R 148	MET1/5WF1K	RESISTOR	METAL FILM 1/5W	
	R 38	CAR1/5WJ10K	RESISTOR	CARBON FILM 1/5			R 149	CAR1/5WJ220	RESISTOR	CARBON FILM 1/5	
	R 39	CAR1/5WJ68K	RESISTOR	CARBON FILM 1/5			R 150	MET3W0.1	RESISTOR		
	R 40	CAR1/5WJ27K	RESISTOR	CARBON FILM 1/5			R 151	MET3W0.1	RESISTOR		
	R 41	MET1/5WF24K	RESISTOR	METAL FILM 1/5W			R 152	CAR1/5WJ1.5K	RESISTOR	CARBON FILM 1/5	
	R 42	CAR1/4WJ220	RESISTOR	CARBON FILM 1/4			R 153	CAR1/5WJ15K	RESISTOR	CARBON FILM 1/5	

## ■ Electrical parts list (P.C.board)

Block No. 01

△	Item	Parts number	Parts name	Remarks	Area	△	Item	Parts number	Parts name	Remarks	Area
	R 154	CAR1/5WJ56K	RESISTOR	CARBON FILM 1/5			R 309	SMD1/5WF1.3K	RESISTOR	SMD 0805 1/5WF	
	R 155	MET1/2WJ4.7	RESISTOR	METAL FILM 1/2W			R 310	SMD1/5WF15K	RESISTOR	SMD 0805 1/5WF	
	R 156	MET2W680	RESISTOR	METAL FILM 2WJ			R 311	SMD1/5WF11K	RESISTOR	SMD 0805 1/5WF	
	R 161	MET1/5WF68K	RESISTOR	METAL FILM 1/5W			R 312	SMD1/5WF30K	RESISTOR	SMD 0805 1/5WF	
	R 162	MET1/5WF68K	RESISTOR	METAL FILM 1/5W			R 313	SMD1/5WJ1K	RESISTOR	SMD 0805 1/5WJ	
	R 163	CAR1/5WJ15K	RESISTOR	CARBON FILM 1/5			R 314	SMD1/5WJ1K	RESISTOR	SMD 0805 1/5WJ	
	R 201	MET1/5WF22K	RESISTOR	METAL FILM 1/5W			R 315	SMD1/5WJ1K	RESISTOR	SMD 0805 1/5WJ	
	R 202	MET1/5WF21.5K	RESISTOR	METAL FILM 1/5W			R 316	SMD1/5WJ20K	RESISTOR	SMD 0805 1/5WJ	
	R 203	MET1/5WF22K	RESISTOR	METAL FILM 1/5W			R 317	SMD1/5WJ100K	RESISTOR	SMD 0805 1/5WJ	
	R 205	MET1/5WF33K	RESISTOR	METAL FILM 1/5W			R 318	SMD1/5WJ5.6K	RESISTOR	SMD 0805 1/5WJ	
	R 206	MET1/5WF33K	RESISTOR	METAL FILM 1/5W			R 319	SMD1/5WJ470K	RESISTOR	SMD 0805 1/5WJ	
	R 208	SMD1/5WJ1K	RESISTOR	SMD 0805 1/5WJ			R 321	SMD1/5WJ30K	RESISTOR	SMD 0805 1/5WJ	
	R 209	SMD1/5WF1.3K	RESISTOR	SMD 0805 1/5WF			R 322	SMD1/5WJ30K	RESISTOR	SMD 0805 1/5WJ	
	R 210	SMD1/5WF15K	RESISTOR	SMD 0805 1/5WF			R 323	SMD1/5WJ30K	RESISTOR	SMD 0805 1/5WJ	
	R 211	SMD1/5WJ12K	RESISTOR	SMD 0805 1/5WJ			R 324	SMD1/5WJ62K	RESISTOR	SMD 0805 1/5WJ	
	R 212	SMD1/5WF56K	RESISTOR	SMD 0805 1/5WF			R 330	CAR1/5WJ10K	RESISTOR	CARBON FILM 1/5	
	R 213	SMD1/5WJ1K	RESISTOR	SMD 0805 1/5WJ			R 331	MET1/5WF5.6K	RESISTOR	METAL FILM 1/5W	
	R 214	SMD1/5WJ1K	RESISTOR	SMD 0805 1/5WJ			R 332	MET1/5WF22K	RESISTOR	METAL FILM 1/5W	
	R 215	SMD1/5WJ1K	RESISTOR	SMD 0805 1/5WJ			R 333	CAR1/5WJ1K	RESISTOR	CARBON FILM 1/5	
	R 216	SMD1/5WJ20K	RESISTOR	SMD 0805 1/5WJ			R 334	CAR1/5WJ5.6K	RESISTOR	CARBON FILM 1/5	
	R 217	SMD1/5WJ100K	RESISTOR	SMD 0805 1/5WJ			R 335	CAR1/5WJ5.6K	RESISTOR	CARBON FILM 1/5	
	R 218	SMD1/5WJ5.6K	RESISTOR	SMD 0805 1/5WJ			R 336	CAR1/5WJ1K	RESISTOR	CARBON FILM 1/5	
	R 219	SMD1/5WJ470K	RESISTOR	SMD 0805 1/5WJ			R 337	CAR1/5WJ1K	RESISTOR	CARBON FILM 1/5	
	R 221	SMD1/5WJ30K	RESISTOR	SMD 0805 1/5WJ			R 338	CAR1/5WJ22	RESISTOR	CARBON FILM 1/5	
	R 222	SMD1/5WJ30K	RESISTOR	SMD 0805 1/5WJ			R 339	CAR1/5WJ22	RESISTOR	CARBON FILM 1/5	
	R 223	SMD1/5WJ30K	RESISTOR	SMD 0805 1/5WJ			R 340	CAR1/5WJ22	RESISTOR	CARBON FILM 1/5	
	R 224	SMD1/5WJ62K	RESISTOR	SMD 0805 1/5WJ			R 341	CAR1/5WJ22	RESISTOR	CARBON FILM 1/5	
	R 230	CAR1/5WJ10K	RESISTOR	CARBON FILM 1/5			R 342	CAR1/5WJ1K	RESISTOR	CARBON FILM 1/5	
	R 231	MET1/5WF5.6K	RESISTOR	METAL FILM 1/5W			R 343	CAR1/5WJ47	RESISTOR	CARBON FILM 1/5	
	R 232	MET1/5WF22K	RESISTOR	METAL FILM 1/5W			R 344	CAR1/5WJ3.9K	RESISTOR	CARBON FILM 1/5	
	R 233	CAR1/5WJ1K	RESISTOR	CARBON FILM 1/5			R 345	CAR1/5WJ2.7K	RESISTOR	CARBON FILM 1/5	
	R 234	CAR1/5WJ5.6K	RESISTOR	CARBON FILM 1/5			R 346	CAR1/5WJ47	RESISTOR	CARBON FILM 1/5	
	R 235	CAR1/5WJ5.6K	RESISTOR	CARBON FILM 1/5			R 347	MET1/5WF12K	RESISTOR	METAL FILM 1/5W	
	R 236	CAR1/5WJ1K	RESISTOR	CARBON FILM 1/5			R 348	MET1/5WF1K	RESISTOR	METAL FILM 1/5W	
	R 237	CAR1/5WJ1K	RESISTOR	CARBON FILM 1/5			R 349	CAR1/5WJ220	RESISTOR	CARBON FILM 1/5	
	R 238	CAR1/5WJ22	RESISTOR	CARBON FILM 1/5			R 350	MET3W0.1	RESISTOR		
	R 239	CAR1/5WJ22	RESISTOR	CARBON FILM 1/5			R 351	MET3W0.1	RESISTOR		
	R 240	CAR1/5WJ22	RESISTOR	CARBON FILM 1/5			R 352	CAR1/5WJ1.5K	RESISTOR	CARBON FILM 1/5	
	R 241	CAR1/5WJ22	RESISTOR	CARBON FILM 1/5			R 353	CAR1/5WJ15K	RESISTOR	CARBON FILM 1/5	
	R 242	CAR1/5WJ1K	RESISTOR	CARBON FILM 1/5			R 354	CAR1/5WJ56K	RESISTOR	CARBON FILM 1/5	
	R 243	CAR1/5WJ47	RESISTOR	CARBON FILM 1/5			R 355	MET1/2WJ4.7	RESISTOR	METAL FILM 1/2W	
	R 244	CAR1/5WJ3.9K	RESISTOR	CARBON FILM 1/5			R 356	MET2W680	RESISTOR	METAL FILM 2WJ	
	R 245	CAR1/5WJ2.7K	RESISTOR	CARBON FILM 1/5			R 361	MET1/5WF68K	RESISTOR	METAL FILM 1/5W	
	R 246	CAR1/5WJ47	RESISTOR	CARBON FILM 1/5			R 362	MET1/5WF68K	RESISTOR	METAL FILM 1/5W	
	R 247	MET1/5WF12K	RESISTOR	METAL FILM 1/5W			R 363	CAR1/5WJ15K	RESISTOR	CARBON FILM 1/5	
	R 248	MET1/5WF1K	RESISTOR	METAL FILM 1/5W			R 401	MET1/5WF22K	RESISTOR	METAL FILM 1/5W	
	R 249	CAR1/5WJ220	RESISTOR	CARBON FILM 1/5			R 402	MET1/5WF21.5K	RESISTOR	METAL FILM 1/5W	
	R 250	MET3W0.1	RESISTOR				R 403	MET1/5WF22K	RESISTOR	METAL FILM 1/5W	
	R 251	MET3W0.1	RESISTOR				R 404	CAR1/5WJ470	RESISTOR	CARBON FILM 1/5	
	R 252	CAR1/5WJ1.5K	RESISTOR	CARBON FILM 1/5			R 405	MET1/5WF33K	RESISTOR	METAL FILM 1/5W	
	R 253	CAR1/5WJ15K	RESISTOR	CARBON FILM 1/5			R 406	MET1/5WF 33K	RESISTOR	METAL FILM 1/5W	
	R 254	CAR1/5WJ56K	RESISTOR	CARBON FILM 1/5			R 408	SMD 1/5WJ1K	RESISTOR	SMD 0805 1/5WJ	
	R 255	MET1/2WJ4.7	RESISTOR	METAL FILM 1/2W			R 409	SMD1/5WF1.3K	RESISTOR	SMD 0805 1/5WF	
	R 256	MET2W680	RESISTOR	METAL FILM 2WJ			R 410	SMD1/5WF15K	RESISTOR	SMD 0805 1/5WF	
	R 261	MET1/5WF68K	RESISTOR	METAL FILM 1/5W			R 411	SMD1/5WJ12K	RESISTOR	SMD 0805 1/5WJ	
	R 262	MET1/5WF68K	RESISTOR	METAL FILM 1/5W			R 412	SMD1/5WF56K	RESISTOR	SMD 0805 1/5WF	
	R 263	CAR1/5WJ15K	RESISTOR	CARBON FILM 1/5			R 413	SMD1/5WJ1K	RESISTOR	SMD 0805 1/5WJ	
	R 301	MET1/5WF22K	RESISTOR	METAL FILM 1/5W			R 414	SMD1/5WJ1K	RESISTOR	SMD 0805 1/5WJ	
	R 302	MET1/5WF21.5K	RESISTOR	METAL FILM 1/5W			R 415	SMD1/5WJ1K	RESISTOR	SMD 0805 1/5WJ	
	R 303	MET1/5WF22K	RESISTOR	METAL FILM 1/5W			R 416	SMD1/5WJ20K	RESISTOR	SMD 0805 1/5WJ	
	R 305	MET1/5WF33K	RESISTOR	METAL FILM 1/5W			R 417	SMD1/5WJ100K	RESISTOR	SMD 0805 1/5WJ	
	R 306	MET1/5WF33K	RESISTOR	METAL FILM 1/5W			R 418	SMD1/5WJ5.6K	RESISTOR	SMD 0805 1/5WJ	
	R 308	SMD1/5WJ1K	RESISTOR	SMD 0805 1/5WJ			R 419	SMD1/5WJ470K	RESISTOR	SMD 0805 1/5WJ	

## ■ Electrical parts list (P.C.board)

Block No. 01

△	Item	Parts number	Parts name	Remarks	Area
	R 421	SMD1/5WJ30K	RESISTOR	SMD 0805 1/5WJ	
	R 422	SMD1/5WJ30K	RESISTOR	SMD 0805 1/5WJ	
	R 423	SMD1/5WJ30K	RESISTOR	SMD 0805 1/5WJ	
	R 424	SMD1/5WJ62K	RESISTOR	SMD 0805 1/5WJ	
	R 430	CAR1/5WJ10K	RESISTOR	CARBON FILM 1/5	
	R 431	MET1/5WF5.6K	RESISTOR	METAL FILM 1/5W	
	R 432	MET1/5WF22K	RESISTOR	METAL FILM 1/5W	
	R 433	CAR1/5WJ1K	RESISTOR	CARBON FILM 1/5	
	R 434	CAR1/5WJ5.6K	RESISTOR	CARBON FILM 1/5	
	R 435	CAR1/5WJ5.6K	RESISTOR	CARBON FILM 1/5	
	R 436	CAR1/5WJ1K	RESISTOR	CARBON FILM 1/5	
	R 437	CAR1/5WJ1K	RESISTOR	CARBON FILM 1/5	
	R 438	CAR1/5WJ22	RESISTOR	CARBON FILM 1/5	
	R 439	CAR1/5WJ22	RESISTOR	CARBON FILM 1/5	
	R 440	CAR1/5WJ22	RESISTOR	CARBON FILM 1/5	
	R 441	CAR1/5WJ22	RESISTOR	CARBON FILM 1/5	
	R 442	CAR1/5WJ1K	RESISTOR	CARBON FILM 1/5	
	R 443	CAR1/5WJ47	RESISTOR	CARBON FILM 1/5	
	R 444	CAR1/5WJ3.9K	RESISTOR	CARBON FILM 1/5	
	R 445	CAR1/5WJ2.7K	RESISTOR	CARBON FILM 1/5	
	R 446	CAR1/5WJ47	RESISTOR	CARBON FILM 1/5	
	R 447	MET1/5WF12K	RESISTOR	METAL FILM 1/5W	
	R 448	MET1/5WF1K	RESISTOR	METAL FILM 1/5W	
	R 449	CAR1/5WJ220	RESISTOR	CARBON FILM 1/5	
	R 450	MET3W0.1	RESISTOR		
	R 451	MET3W0.1	RESISTOR		
	R 452	CAR1/5WJ1.5K	RESISTOR	CARBON FILM 1/5	
	R 453	CAR1/5WJ15K	RESISTOR	CARBON FILM 1/5	
	R 454	CAR1/5WJ56K	RESISTOR	CARBON FILM 1/5	
	R 455	MET1/2WJ4.7	RESISTOR	METAL FILM 1/2W	
	R 456	MET2W680	RESISTOR	METAL FILM 2WJ	
	R 461	MET1/5W 68K	RESISTOR	METAL FILM 1/5W	
	R 462	MET1/5WF68K	RESISTOR	METAL FILM 1/5W	
	R 463	CAR1/5WJ15K	RESISTOR	CARBON FILM 1/5	
	SV 01	GF06P-202	SEMI VOLUME	2K OHM	
	SW101	JSS-2319	SWITCH	SLIDE SW	
	SW301	JSS-2319	SWITCH	SLIDE SW	
	T 01	TF137061201	TRANS FORMER		
	TH 01	FTD5-350	THERMISTOR	50KNTC	
	U 01	TL494CN	I.C	PWM IC	
	U 101	NJM2068LD	I.C	DUAL OP AMP	
	U 102	KIA4558F	I.C	DUAL OP AMP	
	U 103	KIA4558F	I.C	DUAL OP AMP	
	U 104	KIA4558F	I.C	DUAL OP AMP	
	U 105	KIA4558F	I.C	DUAL OP AMP	
	U 106	KIA4558F	I.C	DUAL OP AMP	
	U 301	NJM2068LD	I.C	DUAL OP AMP	
	U 302	KIA4558F	I.C	DUAL OP AMP	
	U 303	KIA4558F	I.C	DUAL OP AMP	
	U 304	KIA4558F	I.C	DUAL OP AMP	
	U 305	KIA4558F	I.C	DUAL OP AMP	
	U 306	KIA4558F	I.C	DUAL OP AMP	
	VR101	RK0971220-20KB2	VOLUME		
	VR102	RK0971220-20KB2	VOLUME		
	VR301	RK0971220-20KB2	VOLUME		
	VR302	RK0971220-20KB2	VOLUME		
	W 01	150M/M		1007 AWG#22	



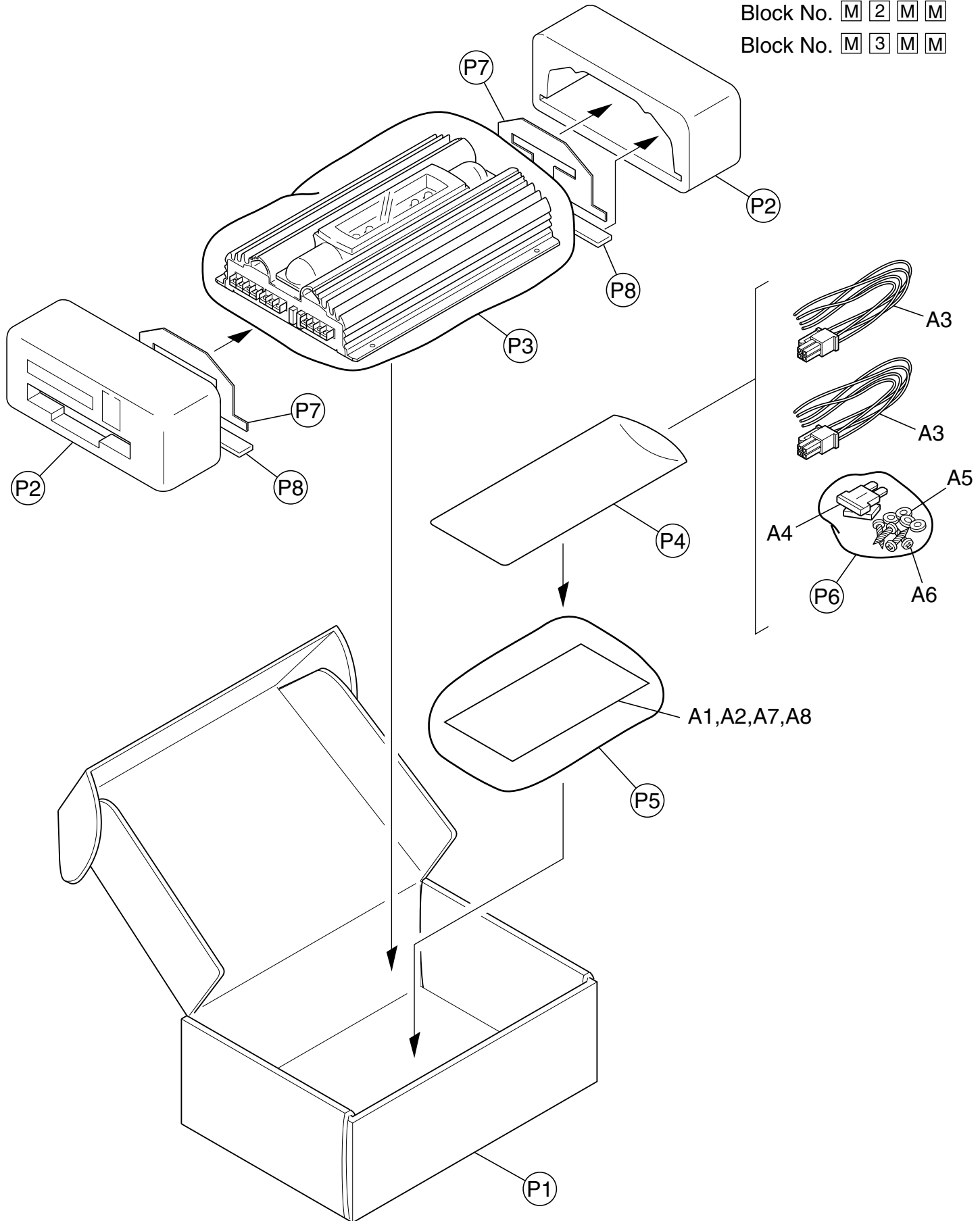
# Packing and accessories

Block No. 

M	2	M	M
---	---	---	---

Block No. 

M	3	M	M
---	---	---	---



### ■ Packing parts list

Block No. M2MM

△	Item	Parts number	Parts name	Q'ty	Description	Area
	P 1	MA-GB-02-6419-0	GIFT BOX	1		
	P 2	MA-SN-07-1116-0	CUSHION	2		
	P 3	MA-PB-01-1039-0	POLY BAG-A	1		
	P 4	MA-PB-01-1524-1	POLY BAG-D	1		
	P 5	MA-PB-01-1715-0	POLY BAG-B	1		
	P 6	MA-PB-01-4101-0	POLY BAG-C	1		
	P 7	MO-FI-01-8087-0	PAPER SPACER	2		
	P 8	MA-IN-02-8090-0	FLAT PAD	2		

### ■ Accessories parts list

Block No. M3MM

△	Item	Parts number	Parts name	Q'ty	Description	Area
	A 1	LVT0727-001A	INST BOOK	1		
	A 2	BT-52004-1	WARRANTY CARD	1		J
		BT-51018-2	WARRANTY CARD	1		J
		BT-54013-1	WARRANTY CARD	1		E
	A 3	CHD114-N	CONNECTOR ASS'Y	2		
	A 4	FUSE20A/32V	AUTO FUSE	2		
	A 5	MO-CU-01-4167-0	RUBBER CUSHION	4		
	A 6	MNSC-05-2-40-20	SCREW	4		
	A 7	BT-51020-2	REGIST CARD	1		
	A 8	BT-20071B	SERVICE CECTER LIST	1		J
	KIT 1	KSAX4700-SCREW	SCREW PARTS LIST	1	A5, A6, P6	J